



## FireFly Series "S" Fiber Optic Closure System

A complete watertight closure system for organizing and protecting up to 72 fiber optic splices.

The FireFly Fiber Optic Closure System is a plastic, watertight mechanical housing designed for organizing and protecting up to 72 fiber splice modules. A unique tray hinging system allows the installer to swing trays up and out of the way either side-to-side or front-to-back. The closure will hold up to six splice trays while sufficient room is available below the trays for fiber storage and slack. Each closure kit may be used for straight, branch or butt splicing with no additional components parts required.

### Features

- May be used for cut, uncut and taut sheath applications.
- May be used with all fiber optic cable.
- Sheath retention & central strength member termination system included.
- Ribbed closure construction - lightweight plastic offers strength and resistance to chemical and U.V. attack.
- Re-enterable and reusable.
- All hardware is of stainless steel.
- All nuts and bolts are captivated.
- Closure may be flash tested.



**Western Pacific  
Telecommunications**

20706 South Main Street  
Carson, California 90745 U.S.A.  
Tel: 310-538-6845 • Fax: 310-538-8510  
www.wptele.com • e-mail: info@wptele.com



### Applications

- Watertight, Underground, Aerial, Vault and Wall Mountable.
- May be used for inline, branch and butt splicing.

### Sizes

- Will hold up to 6 splice trays or 72 fiber optic splices.
- Maximum of 4 cable entries per end.

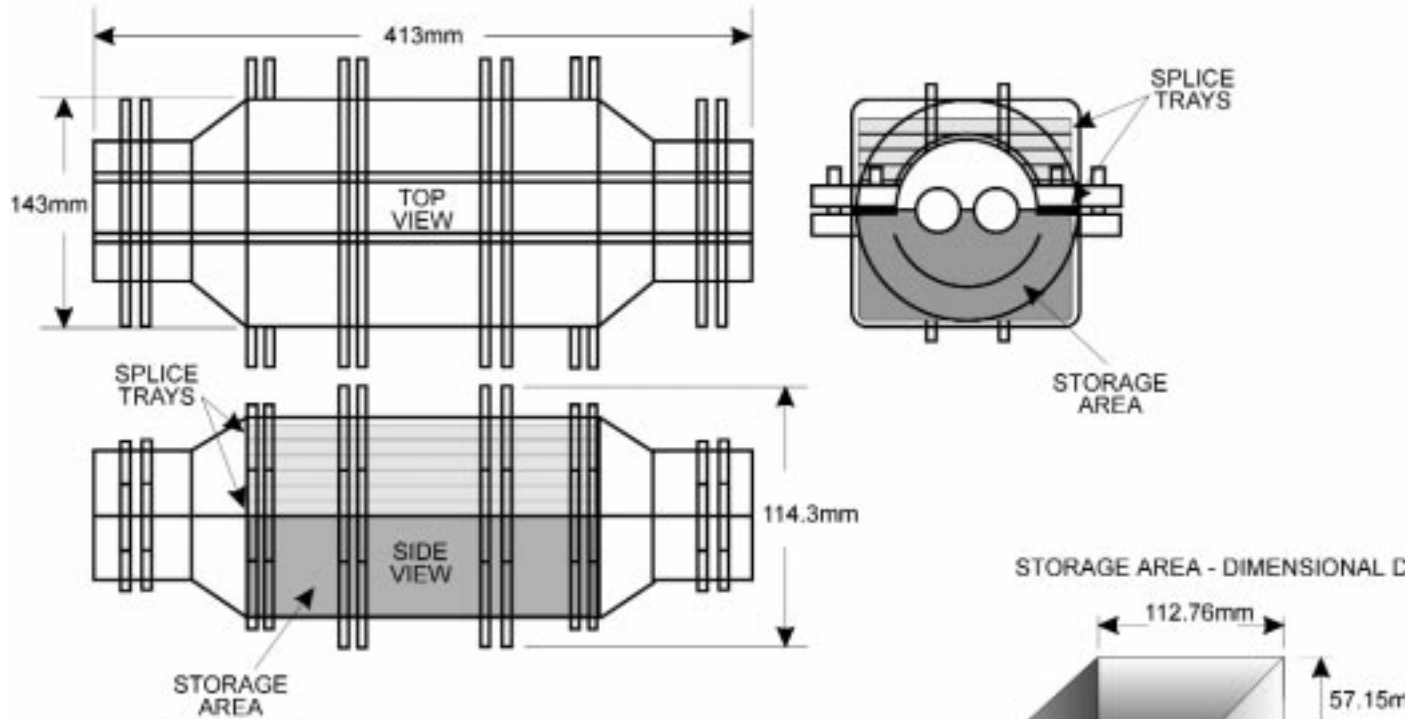


Stacked trays may be hinged side-to-side for easy access to splice trays and modules.

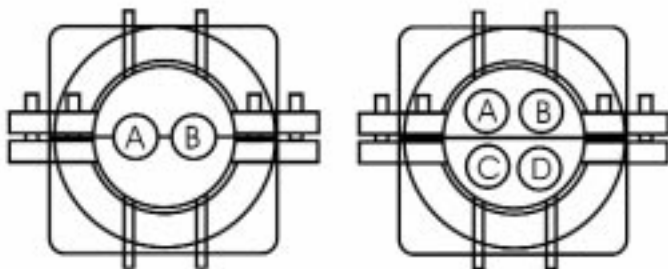


Stacked trays may also be hinged front-to-back by simply moving two hinging bars.

## Closure Dimensional Data



## Endplate Configurations



ENDPLATE CONFIG.	A	B	C	D
2-HOLE	25mm	25mm		
4-HOLE	18mm	18mm	13mm	13mm



**Western Pacific  
Telecommunications**

20706 South Main Street, Carson, California 90745 U.S.A.  
Tel: 310-538-6845 • Fax: 310-538-8510  
www.wptele.com • e-mail: info@wptele.com